



BARRIER FREE

MEZZO SEMI - COUNTERTOP SINK

- Space saving design installs on a minimum countertop depth of 13"
- Fireclay china
- Rear overflow
- Recessed self-draining deck
- Barrier-free design
- Self rimming with sealant
- Cutout template and mounting kit provided (Faucet shown not included)

- 9960.803**
faucet holes on 203mm (8") centers (Illustrated)
- 9960.403**
faucet holes on 102mm (4") centers
- 9960.001**
center hole only

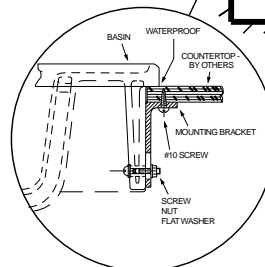
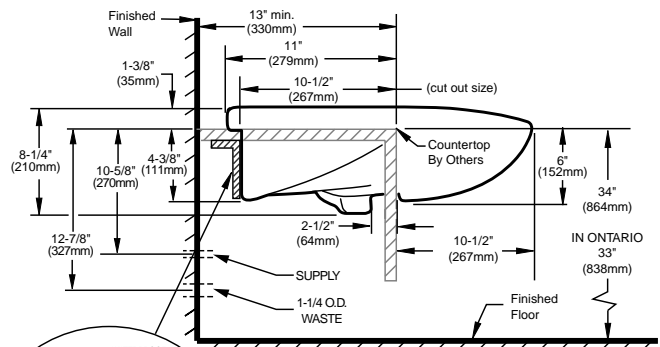
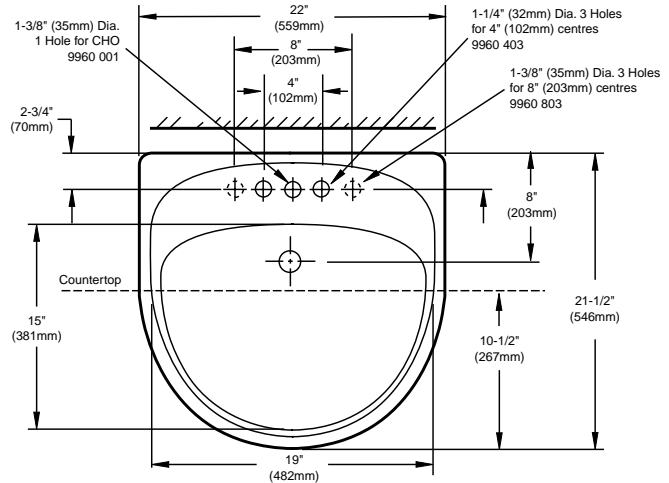
Nominal Dimensions:
22" (559mm) wide, 21-1/2" (546mm) deep

Bowl sizes:
19" (482mm) wide, 15" (381mm) front to back,
6-7/8" (175mm) deep

Fixture Dimensions conform to ANSI Standard
A112.19.9M

**Compliance Certifications -
Meets or Exceeds the Following Specifications:**

- ASME A112.19.9M for Non-Vitreous China Fixtures
- CAN/CSA B45 series
- A1995 National Building Code, section 3.7 and CAN/CSA-B651-02 and OBC 3.8



To Be Specified

- Color:
- Faucet*:
- Faucet Finish:
- Supplies & Stops:
- Trap 1-1/4" (32 mm):

* See faucet section for additional models available

Top of front rim mounted 864mm (34") from finished floor.
MEETS THE AMERICAN DISABILITIES ACT GUIDELINES AND ANSI A117.1 ACCESSIBLE AND USEABLE BUILDINGS AND FACILITIES - CHECK LOCAL CODES.

NOTES:
DIMENSIONS SHOWN FOR LOCATION OF SUPPLIES AND "P" TRAP ARE SUGGESTED.
FOR COUNTERTOP CUTOUT AND INSTALLATION INSTRUCTIONS USE TEMPLATE SUPPLIED WITH SINK.
These measurements are subject to change or cancellation. No responsibility is assumed for use of superseded or voided pages.